

Ezifit Thru Roof Exhaust Fan Ø150mm Spigot



CONTENTS & INSTALLATION INSTRUCTIONS

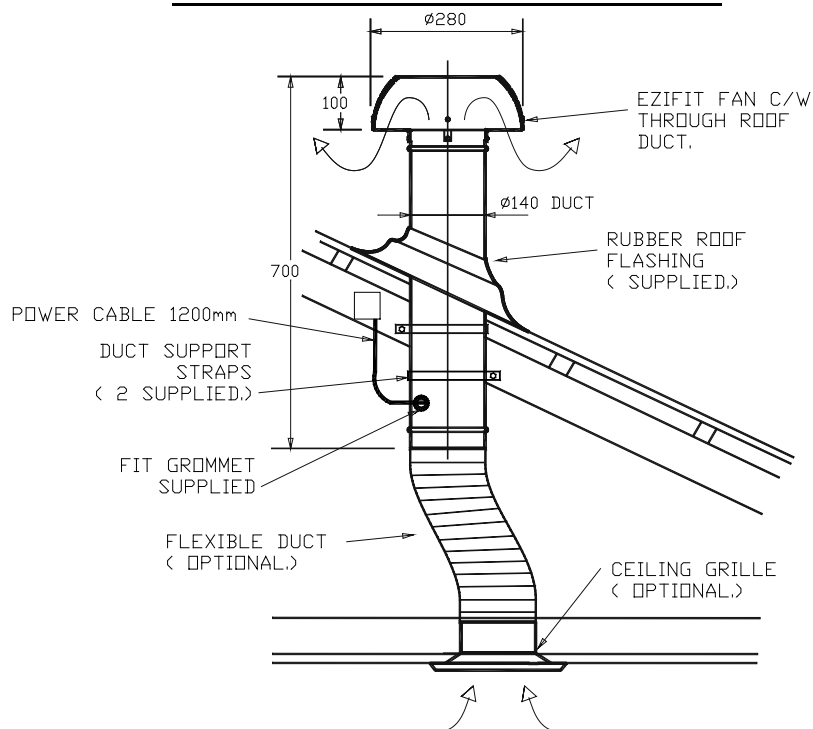
Contents:

Ezifit Fan		1 off.
Roof Flashing-Metal Deck or, Roof Flashing-Tile		1 off.
Duct Support Straps		2 off.
Installation Instruction		1 off.
Mounting Screws		12 off.
Grommet		1 off.
<u>also available on request:</u>		
Flexible duct 150 dia. x 6m long	DUCT150-6M	1 off.
Internal ceiling exhaust grille	ALG150	1 off.

Inspection:

Ensure the unit has arrived in good condition and that the impeller will spin freely.
This product is designed to be installed on a roof up to 45° pitch.

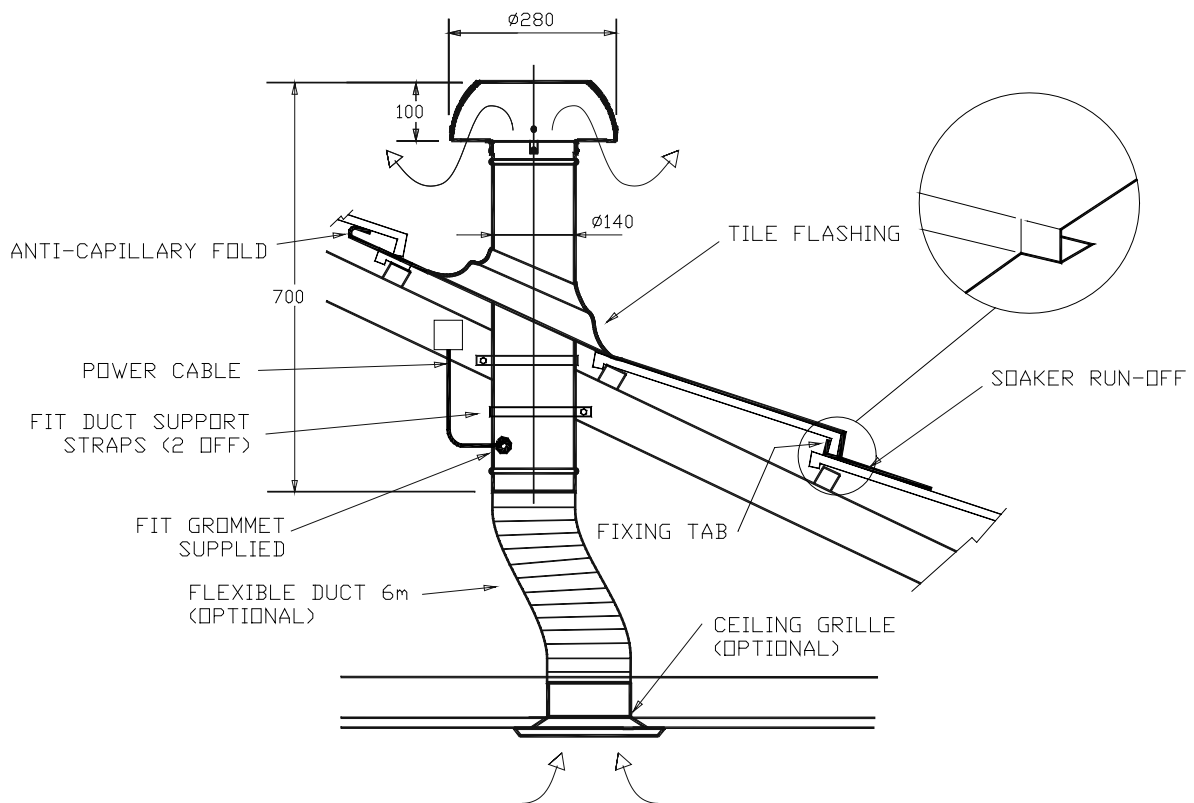
Installation on Metal Deck:



Installation:

1. Installation of this product should be carried out by appropriately qualified persons.
2. Cut a hole in the roof 150mm minimum (with regard to roof pitch angle) diameter. The hole should be positioned adjacent to a rafter or other member to facilitate the use of the duct support straps supplied. Ensure a clean edge.
3. Cut the rubber roof flashing supplied for 140mm diameter through roof duct.
4. Slide the flashing over the through roof duct to the required position.
5. Check the fit of the duct in the cut hole. The duct must be positioned vertically.
6. If satisfactory fasten the duct to the rafter or other member using either the duct support straps provided.
7. Fit the flashing to the metal deck using the mounting screws provided.
8. Plug fan into an adjacent power outlet
9. Test run the fan. Check for excessive vibration.
10. The fan through roof duct is designed for connection to 150mm duct using duct tape or clamps.

Installation on Tiles:



Installation:

1. Installation of this product should be carried out by appropriately qualified persons.
2. Prepare an opening in the tiled roof 170mm minimum (with regard to roof pitch angle) diameter. The hole should be positioned adjacent to a rafter or other member to facilitate the use of the duct support straps supplied.
3. Cut the rubber roof flashing supplied for 140mm diameter through roof duct.
4. Slide the flashing over the through roof duct to the required position.
5. Check the fit of the duct in the opening. The duct must be positioned vertically.
6. If satisfactory fasten the duct to the rafter or other member using either the duct support straps provided.
7. Fit the upper edge of the flashing underneath the tile, bending over top edge to form an anti-capillary barrier.
8. Cut two tabs in the corners of the lower section and turn under tile (refer detail). Lay the lower section of the flashing over the tiles and form a run off tray. Form to tiles as required.
9. Plug fan into an adjacent power point.
10. Test run the fan. Check for excessive vibration.
11. The fan through roof duct is designed for connection to 150mm duct using duct tape or clamps.

Safety Considerations:

1. All connections must be in accordance with any local regulations.
2. Fans have automatic thermal cut out switches incorporated in the motor as standard.
3. This product is not intended for use by persons (including children) with reduced sensory or mental capabilities, or lack of experience and knowledge, unless they have been given supervision or instruction concerning use of the product by a person responsible for their safety. Children should be supervised to ensure that they do not play with the product.
4. For duct or partition mount, precautions must be taken to avoid the back-flow of gases into the room from the open flue of gas or other open-fire appliances.
5. The Licensed Electrical installer must ensure that an approved means of disconnection be incorporated into the fixed wiring.
6. . If the supply cord is damaged it must be replaced by the manufacturer, its service agent or similarly qualified persons in order to avoid a hazard.

Note for New Zealand Customers only;

MUST BE INSTALLED AS PER BUILDING CODE & E2/AS1 – IF IN DOUBT REFER LOCAL AUTHORITY.

GOODS AND WARRANTY

1. When supplying goods to a consumer, the following mandated statement applies:
“Our goods come with guarantees that cannot be excluded under the Australian Consumer Law. You are entitled to a replacement or refund for a major failure and for compensation for any other reasonably foreseeable loss or damage. You are also entitled to have the goods repaired or replaced if the goods fail to be of acceptable quality and the failure does not amount to a major failure.”
2. The benefits of this warranty are in addition to any rights and remedies imposed by Australian State and Federal legislation that cannot be excluded. Nothing in this warranty is to be interpreted as excluding, restricting or modifying any State or Federal legislation applicable to the supply of goods and services which cannot be excluded, restricted or modified.
3. Subject to the conditions and limitation below, the Company warrants products of its manufacture to be free of defects in workmanship and/or materials at the time of delivery to the Buyer.
4. Any part, assembly or portion thereof found to be defective within one year from the date of commissioning or eighteen (18) months from date of shipment from our factory, whichever is the sooner, unless expressly stated otherwise in the Company’s Publications or Literature, will be repaired or exchanged F.O.B factory.
5. The Company reserves the right to replace defective parts of the goods with parts and components of similar quality, grade and composition where an identical component is not available.
6. Goods presented for repair may be replaced by refurbished goods of the same type rather than being repaired. Refurbished parts may be used to repair the goods.
7. Goods or parts that have been returned for repair (except where the repair is as a result of the Company’s failure to comply with the statutory guarantees in the ACL) or warranty assessment are deemed to have been abandoned by the Buyer if not collected within 30 days after the Company has notified the Buyer in writing of the warranty assessment outcome or the completed repair.
8. The Company reserves the right to dispose or otherwise deal with an abandoned product or part at its discretion.
9. This warranty does not apply if:
 - (i) the goods have not been paid for by the Buyer as per the credit terms provided; or
 - (ii) the goods have not been installed in accordance with AS NZS 3000/2000 Australian/New Zealand Wiring rules; or
 - (iii) the goods have been misused or neglected.
10. The Company assumes no responsibility under this warranty for the labour costs involved in the removal of defective parts, installation of new parts or service charges related thereto.
11. If a fault covered by this warranty occurs, the Buyer must first contact the Company at the contact address listed below.
12. Any warranty claim must be accompanied by:
 - (i) proof of purchase;
 - (ii) written details of the alleged defect; and
 - (iii) appropriate documentation (such as installation and maintenance records etc).
13. The Company shall have the option of requiring the return of the defective part (transportation prepaid by the Buyer) to establish the claim.
14. The Company makes no warranties or representations other than set out in this clause 7.
15. The repair or exchange of the goods or part of the goods, is the absolute limit of the Company’s liability under this express warranty.

	Fantech Contacts	
	Head Office Victoria - Melbourne A.B.N. 11 005 434 024 Ph: +61 (3) 9554 7845 Fax: +61 (3) 9554 7833	New Zealand Auckland H.O. (09) 444 6266 Christchurch (03) 379 8622 Wellington (04) 566 0532
Australia Adelaide (08) 8294 0530 Brisbane (07) 3299 9888 Darwin (08) 8947 0447 Melbourne H.O. (03) 9554 7845 Perth (08) 9209 4999 Sydney (02) 8811 0400	Asia For agents in the Asian region call (603) 7846 0340 or visit www.eltafantechasia.com	www.fantech.com.au