



TECHNICAL DATA

Model CGD.. CGE..	Nom. Speed rev/sec	Avg. dB(A) @ 3m		Motor kw	
		Low Air Flow	High Air Flow	CGE.. 1 ph.	CGD.. 3 ph.
354	24	53	52	0.55	0.55
356	16	44	44	-	0.37
404	24	57	55	0.55	0.55
406	16	45	45	-	0.37
454	24	60	58	0.55	0.75
456	16	48	47	-	0.37
504	24	63	62	1.5	1.5
506	16	51	51	-	0.75
564	24	66	66	-	3.0
566	16	55	55	-	1.1
634	24	70	71	-	4.0
636	16	61	59	-	1.1
638	12	47	51	-	0.55
716	16	64	62	-	2.2
718	12	49	54	-	1.1

Amperages for motors can be obtained at time of order.

NOISE DATA

Model CGD.. CGE..	Inlet	In-Duct Spectrum Corrections, dB*							
		63	125	250	500	1k	2k	4k	8k
354	Inlet	28	26	22	19	10	12	11	1
356	Inlet	34	26	23	20	15	9	4	1
404	Inlet	28	26	21	18	11	12	12	5
406	Inlet	33	28	22	19	14	10	7	3
454	Inlet	28	26	21	18	12	13	13	9
456	Inlet	31	30	21	18	13	11	9	5
504	Inlet	27	27	22	16	13	13	13	10
506	Inlet	31	30	23	17	13	11	9	7
564	Inlet	26	27	23	14	13	12	12	10
566	Inlet	30	30	24	16	13	11	9	8
634	Inlet	24	28	24	12	13	11	12	10
636	Inlet	29	30	25	15	13	11	9	9
638	Inlet	29	28	24	15	15	10	11	7
716	Inlet	29	30	25	15	13	11	9	9
718	Inlet	29	28	24	15	15	10	11	7

*Add the In-Duct Spectrum Corrections to the closest dB(A) level shown on the fan curve to obtain the In-Duct Sound Power Level on the Inlet Side of the unit.

DESCRIPTION

The GE Series of vertical exhaust centrifugal roof units has been specifically designed to exhaust grease and oil laden air from applications such as fast food and restaurant kitchens. The design incorporates a grease/water separator which plumbs excess water away from the unit while retaining the oil in a reservoir for later removal.

There are 7 sizes in the range extending from 350 to 710mm diameter.

Typical Applications

Exhausts grease and oil laden air from fast food shops, cafes and restaurant kitchens.

Features

- Robust, galvanised construction.
- Choice of speeds available.
- Fitted with a high performance backward-curved centrifugal fan.
- Quick release toggle clamps on windband provide easy access for cleaning and maintenance of impeller.
- Backward tilting fan body allows easy access for cleaning unit base.
- Grease/water separator retains oil in a reservoir for later removed.

Construction

Galvanised steel construction with a powder-coated finish.
Backward-curved centrifugal impellers.

Motors

Type - standard squirrel cage induction motors
Electricity supply - single or three-phase to suit a wide range of voltages and frequencies
Bearing - sealed-for-life, ball
Speed-controllable using variable speed drives
See pages O-3/4 for details on these motors

Internal Thermal Protection

Thermistors can be supplied on request

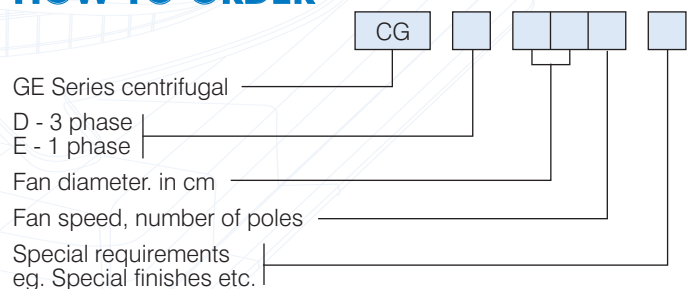
Testing

Air flow to BS848:Part 1, 1980
Noise tests to BS848,Part 2, 1985

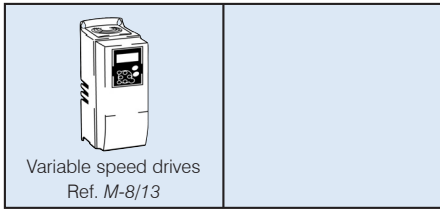
Wiring Diagram

See pages N-6/7, diagrams DD 1, 2, 3, 8, 9.

HOW TO ORDER



ANCILLARY EQUIPMENT



SUGGESTED SPECIFICATION

The roof ventilators shall be of the GE Series vertical exhaust type as designed and manufactured by Fantech Pty Ltd. Impellers shall be backward-curved centrifugal design. The housing shall incorporate a grease/water separator and grease reservoir. Access for impeller cleaning shall be by removal of the windband via quick release toggle clamps. Access for cleaning the base shall be via a tilt back fan body.

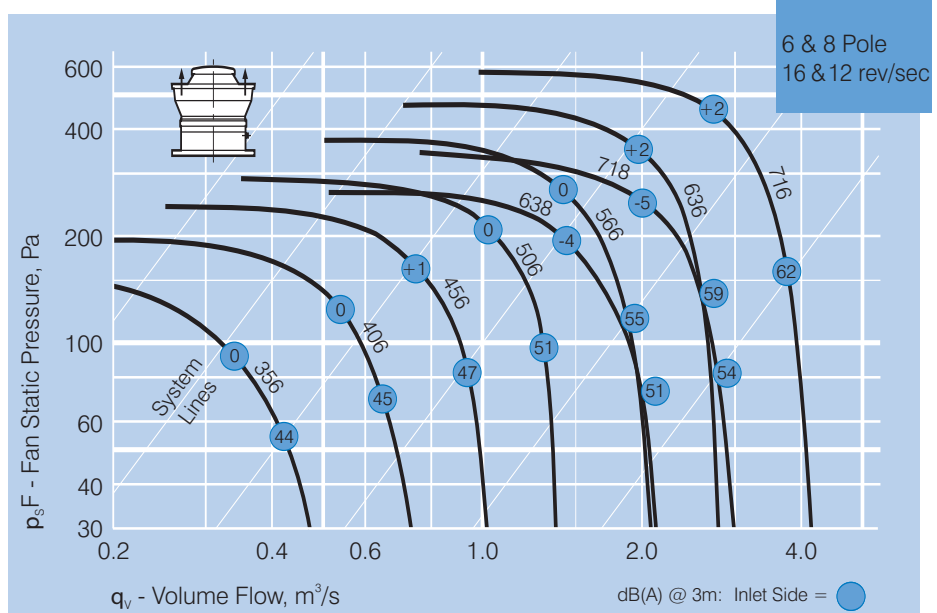
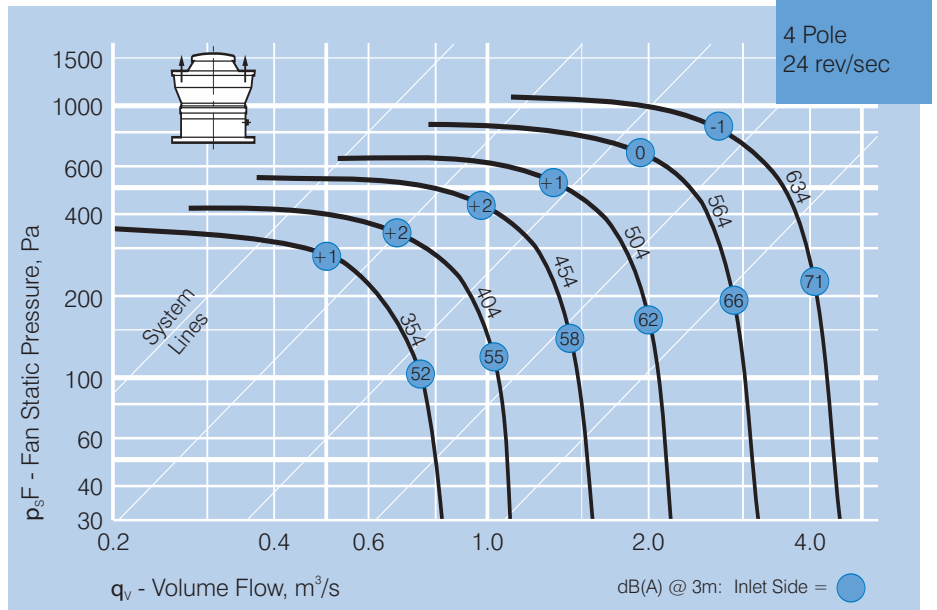
All models shall be fully tested as a complete assembled unit to BS848:Part1, 1980 for air flow and BS848:Part 2 for noise.

Special Notes

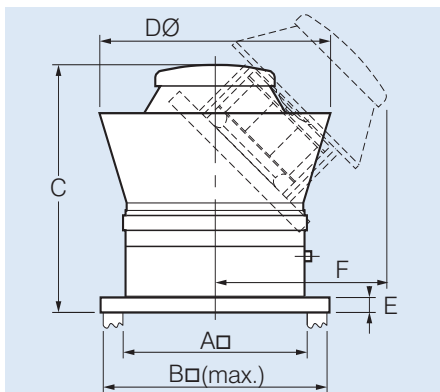
- Designed for vertical exhaust only.
- Designed for mounting on horizontal upstands only.



Scan the QR Code to view more information online.



DIMENSIONS



Model	Dimensions, mm						Approx. Weight	Approx. Volume
CGD.. CGE..	A□	B□(max)	C	DØ	E	F	kg	m^3
35.	520	620	810	667	60	820	81	0.5
40.							87	
45.							104	
50.	800	900	935	928	60	980	109	1.00
56.							122	
63.	800	1000	1240	1260	60	1380	152	2.5
71.							163	