

STYLVENT SERIES

A



DESCRIPTION

The Stylvent Series can be wall or window mounted and is suitable for a wide range of applications. The 230 and 300 models can be wired for exhaust or supply mode or dual purpose using an optional reversing switch.

Typical Applications

Supply or exhaust air in toilets, shower rooms, conference rooms, living rooms, restaurants, etc. in both domestic and commercial installations.

Features

- Available in 3 sizes for 230V supply.
- Models 230 and 300 are suitable for supply or exhaust applications. Model 150 is suitable for exhaust only.
- For applications requiring both supply and exhaust a reversing switch is available.
- Electric shutters prevent outside air entering building when fan is switched off.
- IPX4 rated.
- Tough and long lasting ABS plastic.
- Maximum ambient of 40°C.
- Optional weather Cap for protection against harsh external conditions.
- For wall mounting, a kit of threaded "wall rods" and sleeves can be supplied as an optional extra. Caters for walls ranging in thickness from 25 to 300mm.

Construction

Weather and impact resistant plastic housings.

Motors

Type - the HV-150 is shaded pole and the HV-230 and 300 are external rotor motor.

Electricity supply - single-phase, 230V, 50Hz.

Bearings - sleeve on the HV-150 and ball on the HV-230 and 300.

Single speed - not suitable for speed control.

Internal Thermal Protection

150 - internal fuse; 230 and 300 - auto-reset type.

Testing

Air flow to ISO5801:1997

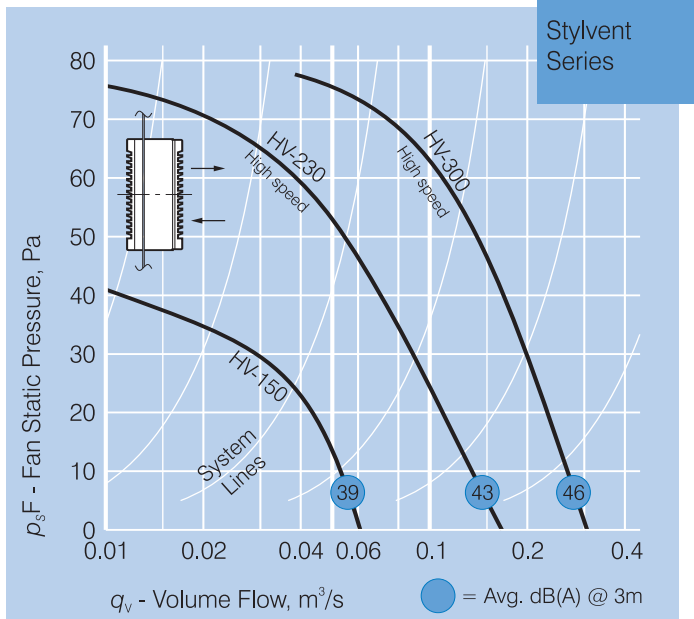
Noise to BS848:Part 2, 1985

Wiring Diagram

See page N-8, diagram ER 6, 8

SUGGESTED SPECIFICATION

The Stylvent Series of wall/window fans shall be as supplied by Fantech Pty. Ltd. and be of the model numbers shown.



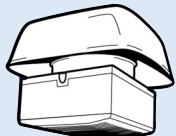
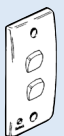
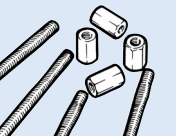
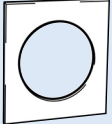
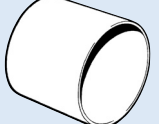
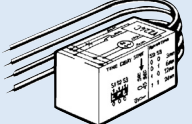
The above graph shows exhaust flow rates only.

The approximate flow rate in supply mode is 50% of high-speed exhaust rate.

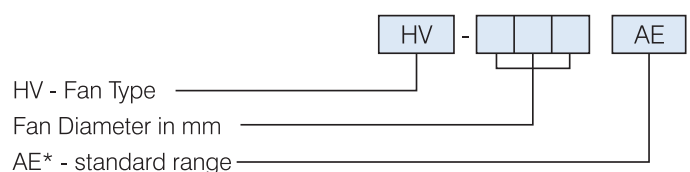
TECHNICAL DATA

Model Number	Fan Dia. mm	Nom. Speed rev/sec	Avg. dB(A) @ 3m	Free Air m³/sec Exh.	Free Air m³/sec Sup.	HV. 1 ph. Watts	1 ph. Amps	App. wt. kg.
'AE' Range* - switch operated								
HV-150..	150	30	39	0.06	n/a	32	0.19	2.0
HV-230..	230	21	43	0.17	0.09	34	0.15	3.5
HV-300..	300	19	46	0.31	0.2	68	0.30	5.1

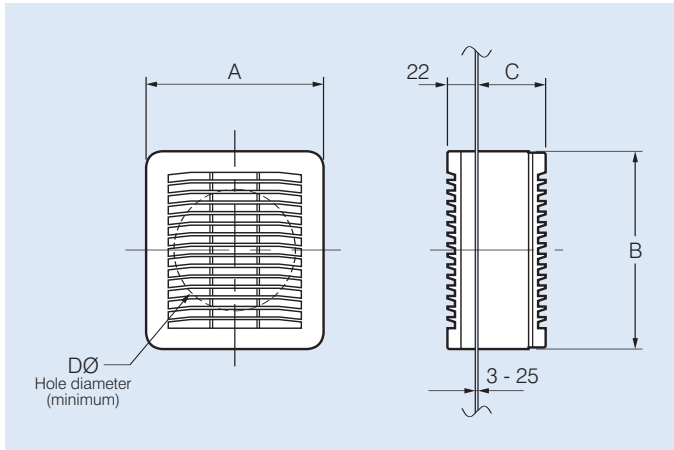
ANCILLARY EQUIPMENT

 Weather Cap Ref. A-13	 SRS - Reversing switch Ref. A-13	 WALLRODSPK - Wall rods Ref. J-10
 WP - Wall plate Ref. J-11	 WT - Wall tube Ref. J-11	 VZ - Run-on timer Ref. M-14

HOW TO ORDER



DIMENSIONS



Model Number	Dimensions, mm			DØ	
	A	B	C	Min	Max
HV-150..	230	251	110	185	190
HV-230..	300	325	142	259	262
HV-300..	368	403	150	327	330

SRS - REVERSING SWITCH



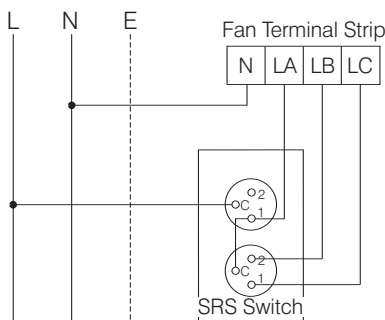
FEATURES

The SRS Reversing Switch enables the HV-230AE and HV-300AE Stylvent fans to operate in both supply and exhaust modes.

The SRS Reversing Switch is surface mounted, has an enclosure rating of IP30 and has a 70W × 114H switch plate.

A recess depth of 25mm is required for mounting.

WIRING DIAGRAM



Note:-
1. Remove link at fan terminal strip
2. Fan is double insulated - no earth required.

WEATHER CAP



FEATURES

Optional external weather cap to suit Stylvent fans for exposed wall mounted locations, provides additional protection against high wind and rain.

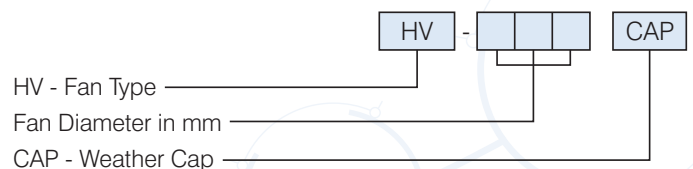
Also suitable for roof mounting on skylights and atriums.

Features include:

- low profile design
- available as a separate component
- fan is removable without disturbing Weather Cap
- reduction of wind noise
- bird mesh fitted as standard

- HV-150CAP** - suits HV-150AE fan
- HV-230CAP** - suits HV-230AE fan
- HV-300CAP** - suits HV-300AE fan

HOW TO ORDER



Scan the QR Code to view more information online.

