

NOISE DATA

Model Number	Avg. dB(A) @ 3m	In-duct Sound Power Levels L_w dB re 1pW							
		63	125	250	500	1k	2k	4k	8k
RIL-100	36	54	63	55	56	52	48	40	32
125	37	61	63	55	56	54	51	42	32
150	45	58	51	64	60	59	63	57	47
200	51	63	63	70	66	68	68	65	53

Sound Power Levels shown are based on the high speed inlet side for each fan.

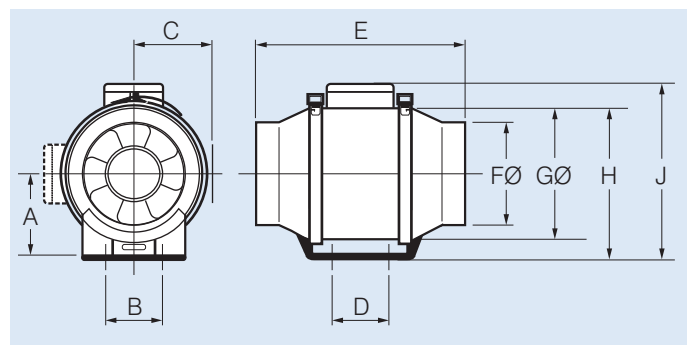
SUGGESTED SPECIFICATIONS

The in-line fans shall be of the ProVent Series as supplied by Fantech Pty Ltd and be of the model numbers shown on the schedule/drawings.

Impellers shall be of mixed-flow design and driven by a single-phase motor. Internal thermal protection shall be by fuse on 100 and 125mm spigot models and by manual-reset on 150 and 200mm models.

It shall include an integral mounting foot, plug and lead and specially designed support brackets to enable motor removal. All fans shall be fully tested to ISO5801: Part1, 1997 for air flow and BS848:Part 2, 1985 for noise.

DIMENSIONS



Model Number	Dimensions, mm									
	A	B	C	D	E	FØ	GØ	H	J	
100	100	60	115	80	303	97	176	190	220	
125	100	60	115	80	258	123	176	190	210	
150	112	60	127	80	295	147	200	225	236	
200	124	94	141	100	302	198	217	235	265	